



fiberon[®]

PE Decking Installation Instructions

+1 800 573 8841 | fiberondecking.com

Table of Contents

Safety Information2

Warranty3

Pre-Installation 3-6

STARTER Fastener Installation for Starting and End Boards 7

Fiberon EDGE and Fiberon EDGEX Clip Installation 8-10

Universal Fastener Installation 11-12

Face Fastener Installation 13-15

Riser and Fascia Installation 16


Safety Information


Read and understand this entire manual before you begin the installation of your decking.


Static Electricity Notice


The decking material does not generate an electrical charge on its own; however, it will hold a charge that is generated by something else (an outside source – examples being a heat pump close to the decking or even a tumble dryer vent pointed at the decking). Dry or windy environments may create a temporary condition of static electricity in many plastic-based products such as carpeting, upholstery, and composite and PVC decking, which will vary depending on climate and site conditions. Static electricity is a naturally occurring phenomenon and is not a defect. In the case of excessive static build-up on installed decking, douse with water to remove the static charge. For a more effective solution, Fiberon recommends the following:


1. Remove loose debris from the decking surface.
2. Dilute ACL Staticide® Concentrate as directed on the bottle.
3. Spray or mop the entire surface of the decking. Allow to air dry. Do not attempt to wipe the surface dry as wiping will reduce the effectiveness of the anti-static coating.


 **CAUTION:** Although very safe in diluted form, ACL Staticide Concentrate is considered a hazardous chemical undiluted. DO NOT use ACL Staticide Concentrate undiluted.


 **NOTE:** Even though the IRC/IBC has no requirement for a minimum slip-resistance for exterior composite decking, all Fiberon® composite decking is tested using ASTM and other standards for resistance to slip. However, numbers alone may not be in line with actual perceived slipperiness, and the perception of what is slippery can differ dramatically from one person to another. Fiberon is committed to ensuring all Fiberon decking provides a safe all-climate walking surface.

 **WARNING:** Use extreme caution when using power tools.

 **WARNING:** This decking is for decking surfaces and decking-related surfaces, such as stair treads or ramps, only. The material is not approved for structural applications. Grooved boards are not approved for use on stair treads. Only square-edged boards should be used in this application.

 **CAUTION:** When using a ladder on composite decking, it is mandatory to lay down a sheet of plywood over the decking surface to disperse the load of the ladder’s feet to nearby underlying joists. Drill fasteners downward through the top of the plywood sheet to keep it from slipping. Position fasteners so they adequately protrude and rest firmly in the gaps between the decking boards and into the joists. This will avoid leaving holes in your decking once the plywood sheet is removed. Always follow the ladder manufacturer’s instructions and safety tips.

 **CAUTION:** Unusual sources of heat and heat build-up can potentially damage decking surfaces. Examples include fire pits, reflected light from nearby glass and/or reflective metal surfaces, and under-decking waterproofing installations that do not provide adequate ventilation. Exercise caution if walking barefoot on decking while it is in full sun.

 **CAUTION:** Fasteners have sharp edges. Use proper care when handling.

Warranty

Decking Warranties			Residential Limited Warranty		Commercial Limited Warranty	
			Performance	Stain and Fade	Performance	Stain and Fade
Composite (PE)	Concordia	Symmetry Collection	Lifetime	50-year	10-year	
		Horizon Collection	Lifetime	50-year	10-year	
		Astir Collection	Lifetime	50-year	10-year	
	Sanctuary		40-year		10-year	
	Good Life	Escapes Collection	30-year		10-year	
		Weekender Collection	25-year		10-year	
		ArmorGuard	25-year		10-year	
		Veranda by Fiberon	25-year		10-year	N/A



NOTE: Warranties listed here are for decking, stair tread, fascia, riser and ramp applications only. When using Concordia in a cladding application, refer to the Fiberon Residential Limited Warranty - Stain and Fade/Performance. Ask your Fiberon seller or visit www.fiberondecking.com/resources/warranty-registration for details of limited warranties and exclusions.



IMPORTANT: For a full written warranty, additional information or technical assistance, please visit fiberondecking.com.



NOTE: Fiberon recommends the use of a quality joist flashing tape to ensure optimal installation. All Fiberon® decking offers long-term warranty coverage, as noted above. To extend the life of the joists beneath the decking, we recommend using joist tape. Properly applied, joist tape has proven effective in protecting joists against premature decay.

Pre-Installation



IMPORTANT: Follow local applicable building regulations. Careful planning of the finished decking layout will result in a more pleasing finish. Failure to follow installation guidelines could void the warranty.



IMPORTANT: Thoroughly read all instructions for both the decking and railing systems planned for the project prior to installations. Failure to do so may result in more difficult installations and may void the warranty.

Before You Begin

ACCLIMATISATION AND STORAGE

Before installation, material should be stored on a flat surface, supported every 609.6 mm, and in the shade or covered if the original packaging has been removed.

AIR FLOW AND DRAINAGE

Make sure there is adequate and unobstructed air flow under 50 per cent of the decking perimeter to allow for cross-ventilation. This will not only promote dryness, but also negate heat build-up beneath the decking. Allow a minimum of 38.1 mm of open space between the bottom of the joists or fascia (if it hangs lower than the joists) and the ground or existing surface. Water must be able to flow away from under the decking. Improve drainage or slope flat areas where standing water may gather. Do not install decking onto a continuous solid pad without sleepers or another form of ventilated solid support.

PE Composite decking should not be installed in a manner that would result in submersion, either partially or completely, for a prolonged period of time. This can include, but is not limited to, installations for docks, pools, etc.

Sleeper installation: Minimum joist height is 38.1 mm, installed level, in the direction of water run-off and directly to a solid sub-structure. Create adequate cross-ventilation for the decking by widening side-to-side spacing between boards to 6.4 mm with a maximum of a 9.5 mm gap. The design must allow for a minimum of 38.1 mm of unrestricted air flow under the decking at the open joist ends for cross-ventilation and drainage.

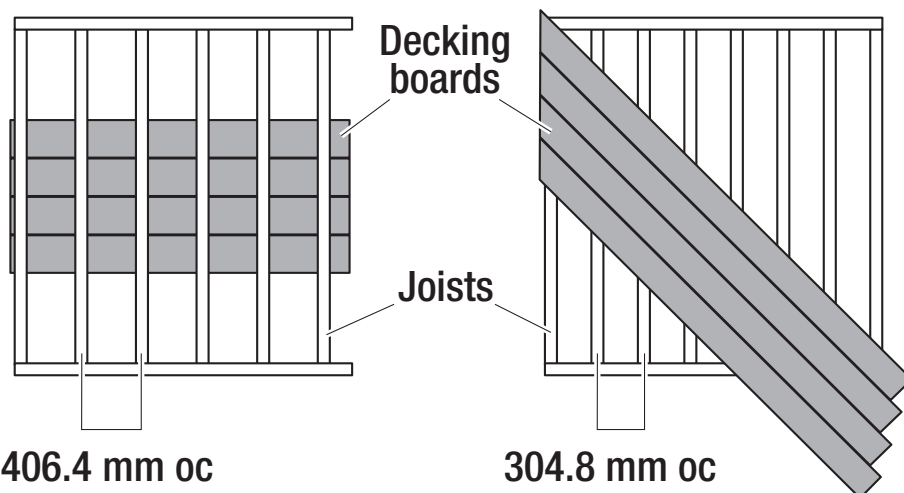
Under-decking waterproofing systems, properly installed, can provide additional living or storage space. Improper installations are those that restrict air flow and result in the build-up of heat and/or humidity, which can result in unwarranted consequences. Any system used must follow the manufacturer's guidelines in addition to the aforementioned air flow and drainage requirements.

Pre-Installation (continued)

Determining Joist Location

Joist location is important for the safety of the decking and will affect the layout, cost and ease of installation of the railing system. If railing is to be installed, determine rail post placement prior to joist construction. Joists used in decking frame construction should meet all applicable IRC/IBC, national and local regulations.

Grooved boards are not approved for use on stair treads. Only square-edged boards should be used in this application.



406.4 mm oc

304.8 mm oc



NOTE: For decking using metal joists, specialist face fasteners are required. Fiberon® EDGEXMETAL® clips are available for metal joists. Phantom® universal fasteners may be used with the substitution of a metal self-tapping screw (not included). Fasteners for metal that install at a 90-degree angle are required. Call Fiberon on +1 800 573 8841 for more information.

Joist/String Spacing		Residential			Commercial			
		Perpendicular	Diagonal (up to 45-degree angle)	Stairs	Perpendicular	Diagonal (up to 45-degree angle)	Stairs	
Composite (PE)	Concordia	Symmetry Collection	16 in. (406.4 mm)	12 in. (304.8 mm)	12 in. (304.8 mm)	12 in. (304.8 mm)	8 in. (203.2 mm)	8 in. (203.2 mm)
		Horizon Collection						
		Astir Collection						
	Sanctuary							
	Good Life	Escapes Collection						
		Weekender Collection						
	ArmorGuard							
	Veranda by Fiberon							

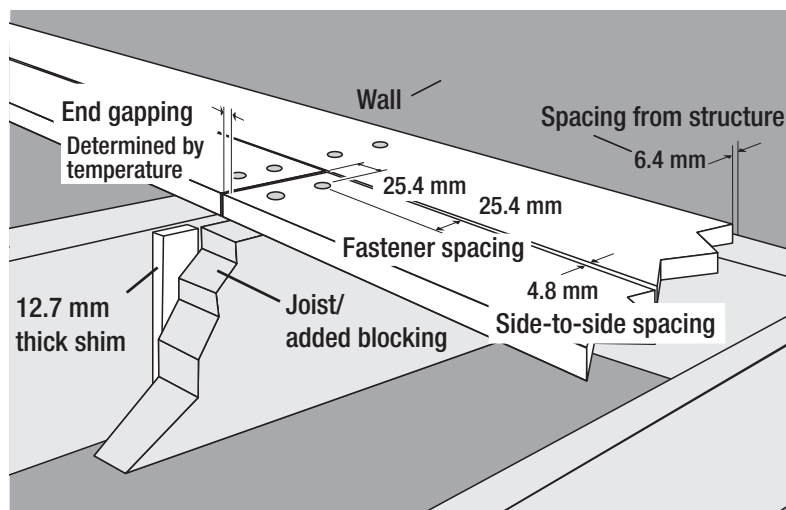
Pre-Installation (continued)

Expansion and Spacing Considerations

All decking materials, whether wood, composite or metal, undergo some degree of expansion with the change of weather and the seasons. For best spacing results, keep boards out of direct sunlight during storage and the cutting process, and throughout installation if possible. To compensate for the effects of contraction and expansion, use short boards (where possible) with splitter/divider boards between each continuous run of boards.

Adequate board spacing of a minimum of 4.8 mm between board sides will provide proper drainage and assist with the removal of small organic debris. Allow a minimum of 6.4 mm spacing between boards and any permanent structure. Spacing requirements must be met for full Fiberon® warranty coverage. End spacing recommendations are determined by the temperature. See chart below for details.

Separate the joist from the blocking with a 12.7 mm thick shim. Shimming ensures the fastener has the required penetration into solid wood, and reduces the chance of water pooling on the joist.



Spacing by installation temperature (Celsius)			Maximum overhang		End-to-end spacing					End-to-side spacing	
			Edge	End	1 degree and below	2 - 20 degrees	21 - 31 degrees	32 - 42 degrees	43 degrees and above	21 degrees and below	22 degrees and above
Composite (PE)	Concordia	Symmetry Collection	1 in. (25.4 mm)	1 in. (25.4 mm)	1/4 in. (6.4 mm)	3/16 in. (4.8 mm)	1/8 in. (3.2 mm)	1/16 in. (1.6 mm)	0 in. (0 mm)	1/8 in. (3.2 mm)	1/16 in. (1.6 mm)
		Horizon Collection									
		Astir Collection									
	Sanctuary										
	Good Life	Escapes Collection	1/2 in. (12.7 mm)								
		Weekender Collection									
		ArmorGuard									
Veranda by Fiberon											



NOTE: In areas where extreme temperature swings are prevalent, adding 2x blocking at butt joints is recommended. When using hidden fasteners, secure the board with two face fasteners at the joist closest to the mid-point to 'pin' the board in place and ensure that thermal expansion and contraction occur equally in both directions.

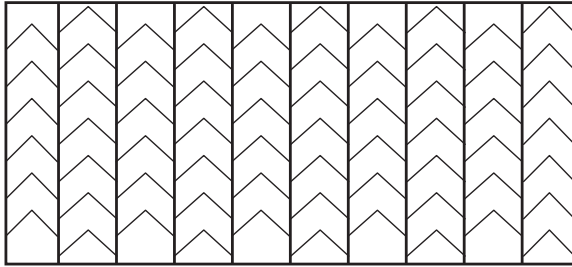


NOTE: Special consideration should be taken when working in direct sunlight, as decking will experience larger temperature swings in full sun. To help control end-to-end spacing, decking should be kept at the ambient temperature and shaded from direct sunlight prior to cutting and immediate securing.

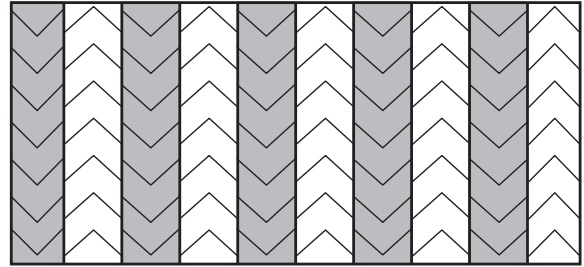
Creating Various Decking Patterns

Achieve different looks by laying the decking in the same or alternating directions. During the planning phase of any decking project, arrange the boards before installation to achieve the desired pattern and colour effect. This is also important if different lengths/bundles of material are used, as different embossed grain patterns, streaking patterns and colour tones may need to be mixed to achieve the desired look. The embossed grain pattern repeats approximately every 1.1 metres along the board length. Decking with a linear embossed pattern will have minimal impact on the design layout compared to a chevron embossed pattern. Decking with dramatic streaking patterns can heavily impact the overall design.

Embossed grain pattern and streaking pattern orientation during installation



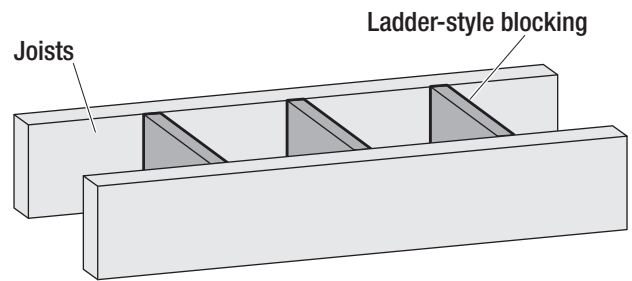
Same direction



Alternating direction

Special Note On Blocking Patterns

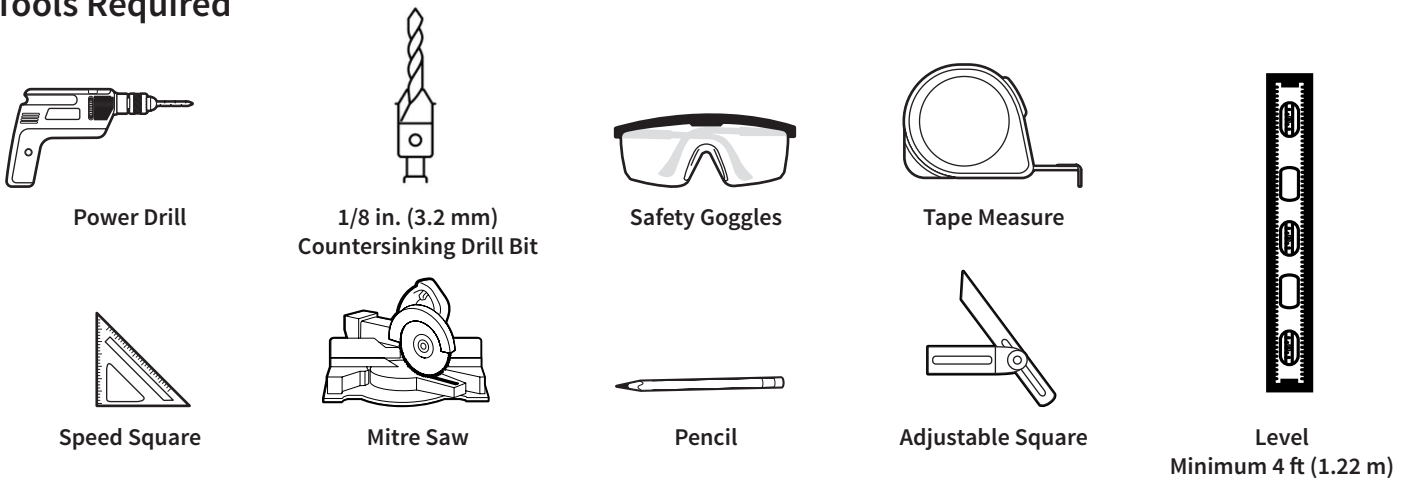
When installing additional blocking, remember that solid blocking (blocking laid flat) will inhibit water flow and result in build-up of organic materials over time, which will make cleaning more difficult and could eventually cause damage to the material. When blocking is required, install ladder-style for best results.



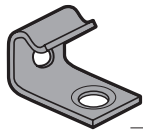
Heavy Loads

When installing heavy loads such as a hot tub on your decking, ensure that you understand and follow all of the manufacturer's requirements related to framing and support. The failure of decking due to improperly supported heavy loads is not warranted.

Tools Required



Fiberon® STARTER Hidden Fastener Installation



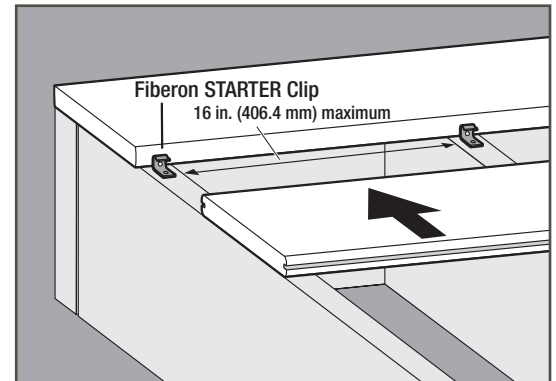
Fiberon
STARTER
Clip



NOTE: Face-fastened square-edge boards create a smooth, finished look along the perimeter of the decking.

1 Installing the first grooved end boards.

- Fiberon recommends starting on the outside of the decking and working towards the house/wall. This way, if any board needs cutting down to fit, the cut side will be against the house/wall. If starting at the house/wall, secure STARTER clips a minimum of 6.4 mm from the wall with a single screw into the joist.
- Space clips no more than 406.4 mm apart.
- Position the decking board into the STARTER clip fasteners. It may be helpful to angle the board slightly up to fully seat it into the clips.
- Ensure that the board is fully inserted into the clips to lock it in place.



NOTE: Follow instructions for Fiberon EDGE® (pp. 8 - 10) or Phantom® universal fasteners (pp. 11 - 12) to install the middle of the decking before the end boards.

2 Installing the final end boards

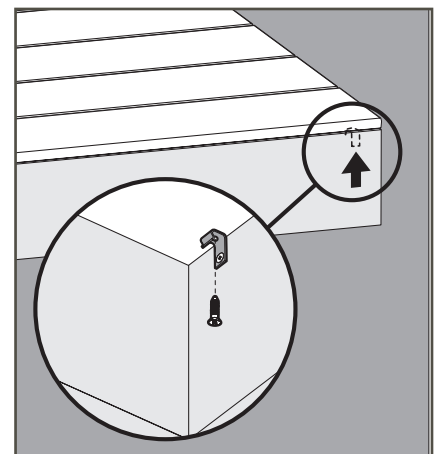


NOTE: Only applicable for the installation of flat bottom boards. STARTER clips are not approved for securing boards with a scalloped bottom. Prior to positioning the last decking board, place the STARTER clips on the inside of the rim joist, securing them with a single screw inserted perpendicularly through each clip into the joist.

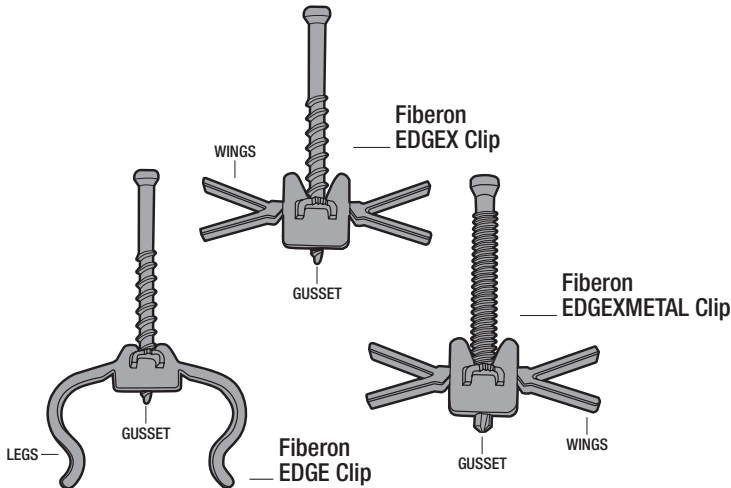
- After positioning the last decking board in place, secure it by driving the fastener through the clip and into the board at a 90-degree angle. Ensure the screw inserts fully and pulls the board down. Space no more than 406.4 mm apart. The last board can also be face fastened into place with composite screws installed flush with the decking surface or with hidden face fasteners.



NOTE: When the thickness of the rim joist exceeds 38.1 mm, STARTER clips should be secured to the outer edge of the joist.



Fiberon® EDGE® and Fiberon EDGEX® Hidden Fastener Installation



NOTE: Use Fiberon EDGEX clips for installing decking boards at up to a 45-degree angle. Fiberon EDGE clips can be used but this would require removing the legs of the clips.



NOTE: Impact drivers should not be used when installing Fiberon EDGE or Fiberon EDGEX hidden fasteners.



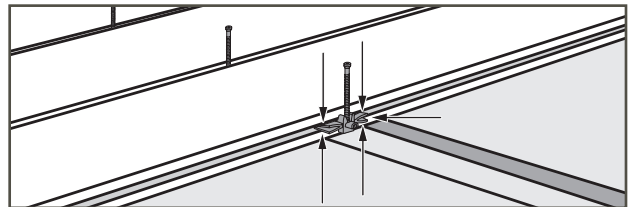
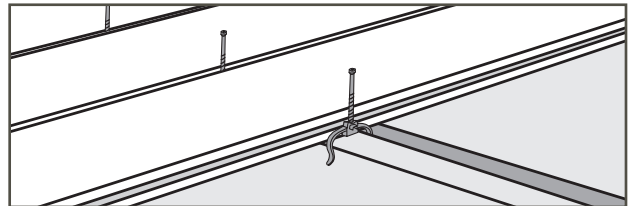
NOTE: Fiberon EDGEXMETAL® clips are available with a different screw for drilling into 14-18 gauge metal joist framing. The installation process is the same as for Fiberon EDGEX.



NOTE: Grooved boards are not intended to be used as perimeter boards unless you are also installing fascia boards appropriately to cover the exposed grooves, or when the groove is against a wall or other hard structure.

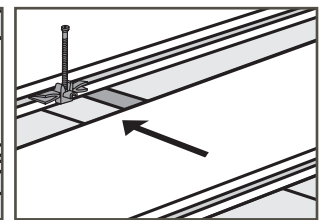
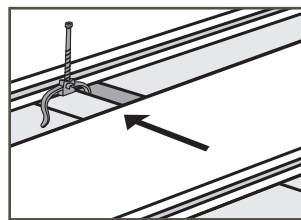
1 Preparing the grooved board edges

- After installing the first end boards (p. 7), position Fiberon EDGE or Fiberon EDGEX hidden fasteners along the decking board, centring on the joists.
- For Fiberon EDGE clips, place the clip on the joist with the gusset in the groove.
- For Fiberon EDGEX clips, pinch the wings of clip together and slide the clip into the groove.
- Both types of clips are designed to stay in place until you're ready to fasten.



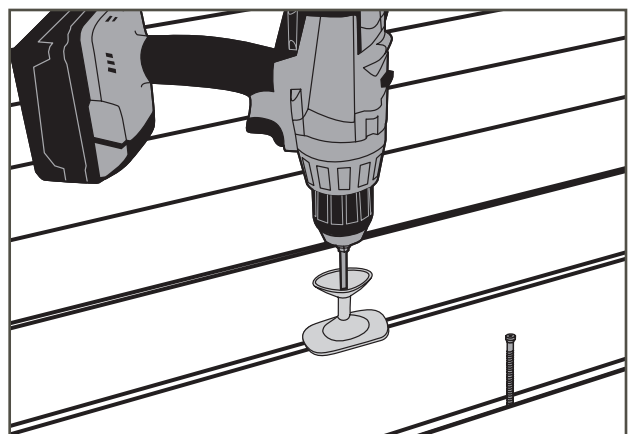
2 Installing the remaining boards/rows

- Place the next board up against the clips and insert fully.



3 Securing the boards

- Ensure correct end-to-end gapping and hold the boards tightly while securing or lock them in place with CAMO® LEVER® (sold separately).
- Screw down all of the clips between the boards. Use the NEVER-MISS™ Guide (included in the pail) for fast manual installation, or the CAMO DRIVE™ tool (optional and sold separately) to fasten while standing up.
- Repeat installing fasteners and positioning boards to complete the decking. See 'Installing the final end boards' (p. 7) for how to complete the decking.



Fiberon® EDGE® and Fiberon EDGEX® Butt-Joint Installation

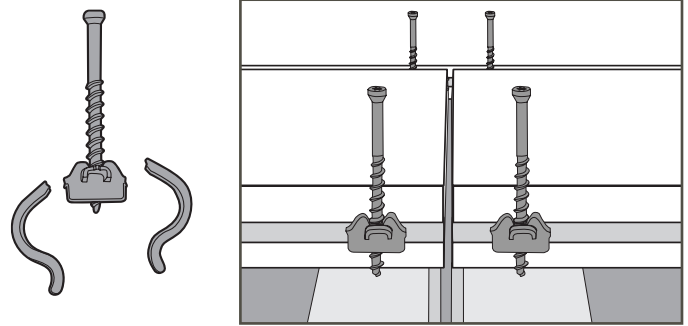


NOTE: See Expansion and Spacing Considerations (p. 5) for end-to-end spacing and blocking considerations

Fiberon EDGE Fastener Butt-Joint installation

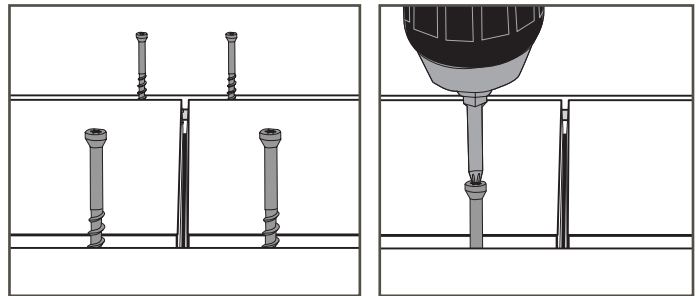
1 Remove legs on Fiberon EDGE clip.

- Where two boards butt together, allow for adequate end-to-end board spacing. Centre the end gap over the gap between the double joists.
- You will need four clips for each butt joint (two on each side). If needed, remove the legs of the Fiberon EDGE Clip so that they can sit side by side on the joist/blocking.



2 Securing the fasteners

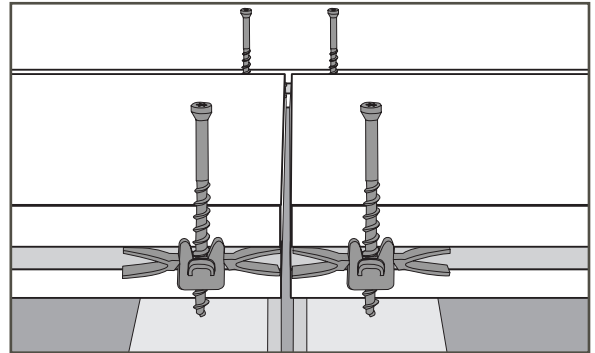
- With the boards positioned correctly, place the clips in the groove, centred on joists on both sides of the boards. Partially fasten the screws to hold them in place until the next board is set, then fully fasten the screws.



Fiberon EDGEX Fastener Butt-Joint installation

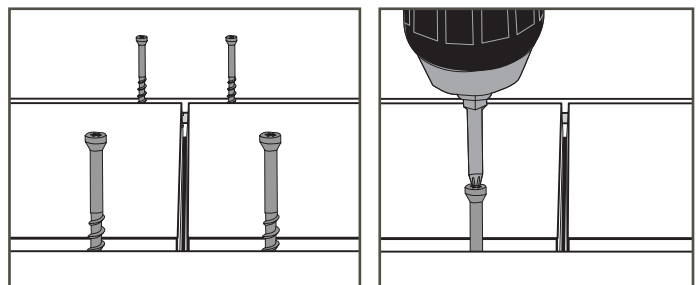
1 Position four Fiberon EDGEX clips.

- Where two boards butt together, allow for adequate end-to-end board spacing. Centre the end gap over the gap between the double joists.
- You will need four clips for each butt joint (two on each side). If needed, remove the legs of the Fiberon EDGE Clip so that they can sit side by side on the joist/blocking.



2 Fasten screws.

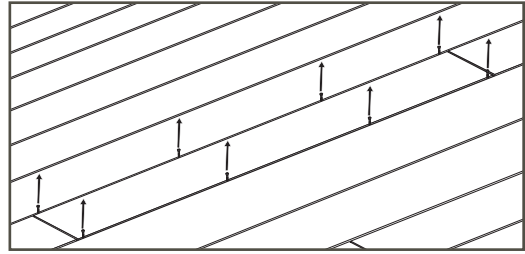
- With the boards positioned correctly, place the clips in the groove, centred on joists on both sides of the boards. Partially fasten the screws to hold them in place until the next board is set, then fully fasten the screws.



Fiberon® EDGE® and Fiberon EDGEX® process for replacing damaged decking boards

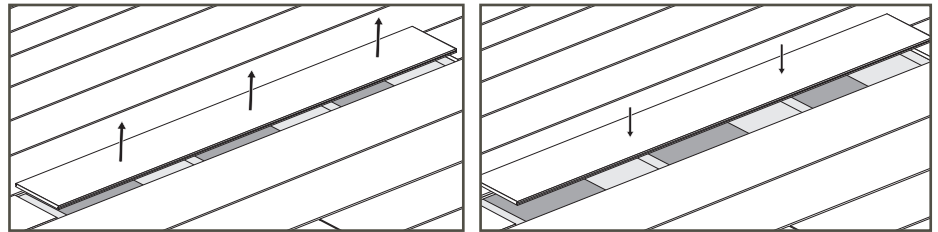
1 Back screws out of joist.

- Remove all of the Fiberon EDGE or Fiberon EDGEX screws from the joist along both sides of the damaged decking board.



2 Replace board.

- Pull up on the board to remove it.
- Remove any remaining fasteners attached to the joists and lay the new decking board in position without attaching it.

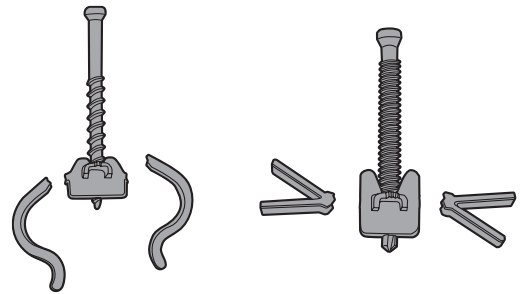


3 Remove fastener legs or wings.

- Count the number of fasteners needed and snap off the Fiberon EDGE legs or Fiberon EDGEX wings on each fastener.

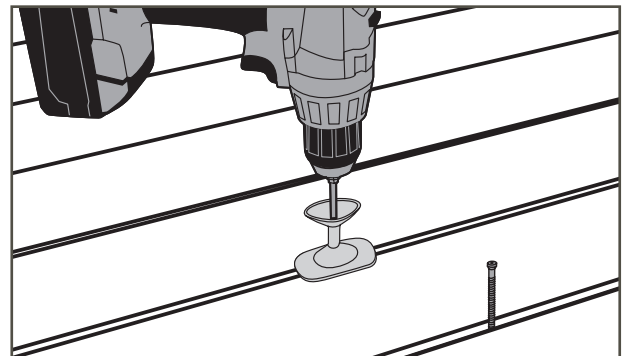
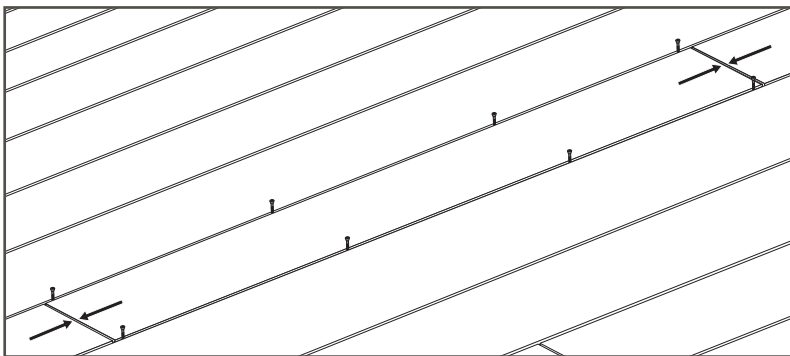
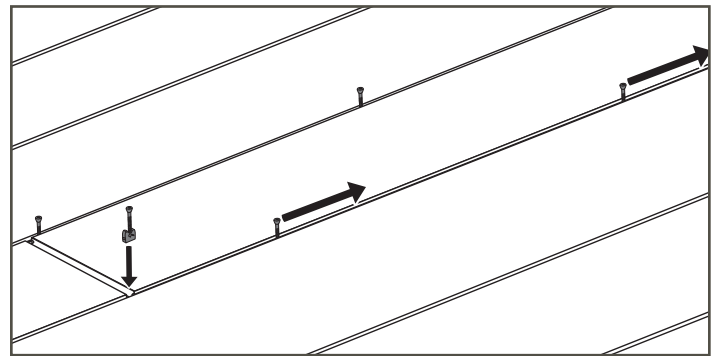


NOTE: Fasteners that were holding the damaged board can be reused if they are undamaged.

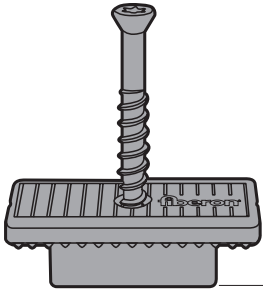


4 Securing the board.

- Slide the fasteners (screws and gussets) down the groove, positioning one over each joist on both sides of the board.
- Ensure there is correct end-to-end gap spacing.
- Fasten the clips securely in place using the NEVER-MISS™ Guide (included in the pail).



Fiberon® Phantom® Universal Hidden Fastener Installation for Grooved-Edge PE Only



Fiberon Phantom universal fastener with pre-inserted screw



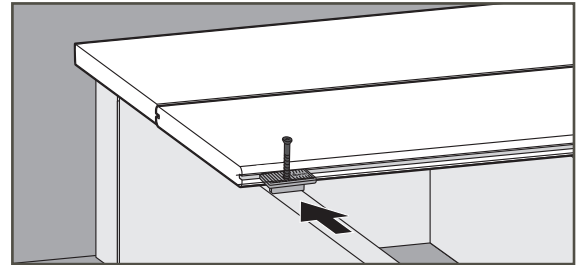
NOTE: The Fiberon Phantom universal fastener provides a 4.8 mm side-to-side gap between each board and is designed to be 38.1 mm wide to completely cover the joist and further enhance the hidden fastener aesthetic.



NOTE: Grooved boards are not intended to be used as perimeter boards unless you are also installing fascia boards appropriately to cover the exposed grooves, or when the groove is against a wall or other hard structure.

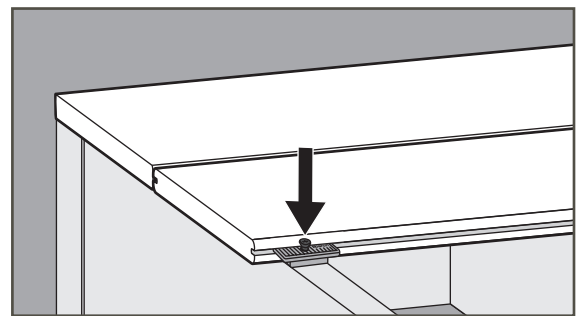
1 Preparing the grooved board edges

- After installing the first end boards (p. 7), insert the Fiberon Phantom universal clip into the grooved edge of the decking board in alignment with the centre of each joist. The screws are pre-inserted for your convenience.



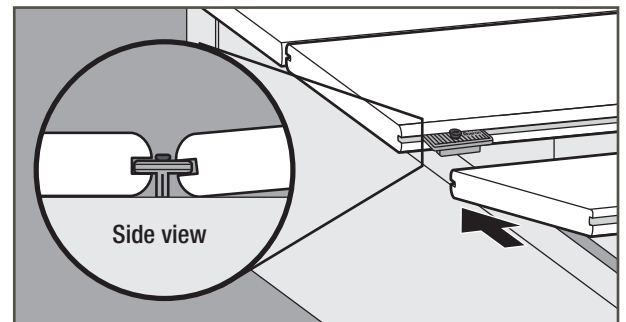
2 Securing the fasteners

- Using the included T-15 Star drive bit, drive in the screw until it is flush in the countersunk hole. With some boards it may be necessary to leave the screw loose until the next course of decking is laid; then, tighten the screw completely. Be careful not to overtighten the screw to prevent breakage or bowing of the clip. An electric screwdriver with a clutch setting is very effective for this application.



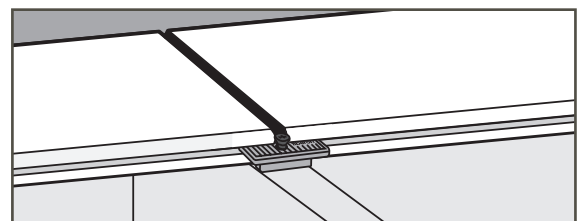
3 Installing the remaining boards/rows

- Slide the second decking board into place and push or tap forward to ensure the Fiberon Phantom universal decking clip is fully seated in the groove. If left loose, finish driving the screw in until it is flush in the countersunk hole. Install the remaining Fiberon Phantom clips where each joist intersects with the decking board.
- Repeat installing fasteners and positioning boards to complete the decking. See 'Installing the final end boards' (p. 7) for how to complete the decking.



4 Installing butt joints

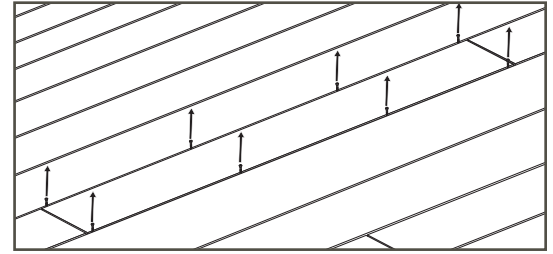
- Where two boards butt together, allow for the required end-to-end board spacing and use a single Fiberon Phantom universal hidden fastener on each side of the board to secure both board ends.



Universal Hidden Fastener Process for Replacing Damaged Decking Boards

1 Loosen clips from joist.

- Loosen the clips holding the damaged board until the board and clips can slide freely.

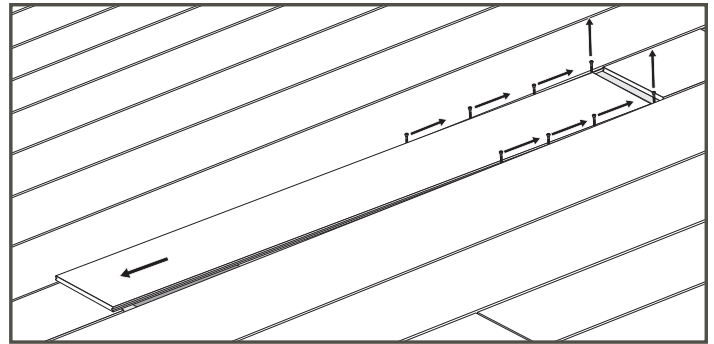


2 Remove the damaged board.

- Slide clips to one end and slide out the damaged board from the decking surface.

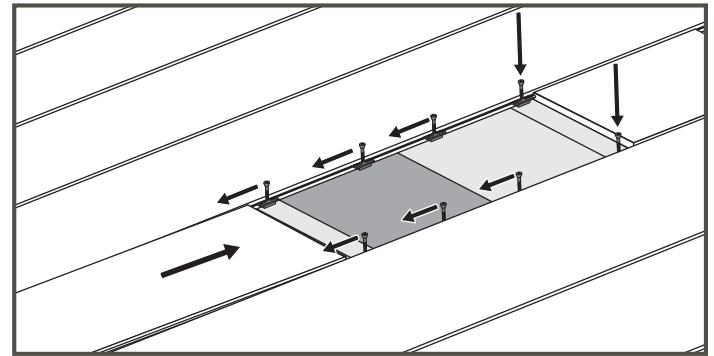


NOTE: If the surface has a 'picture frame' and you are unable to slide out the damaged board, it may be necessary to remove the framing boards to access the damaged board.



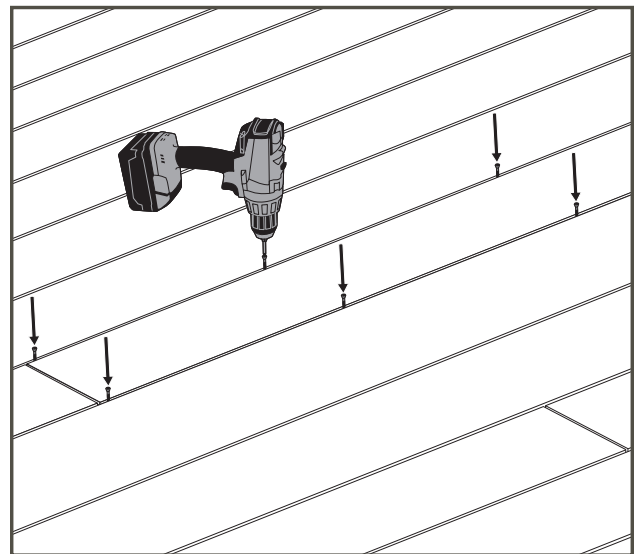
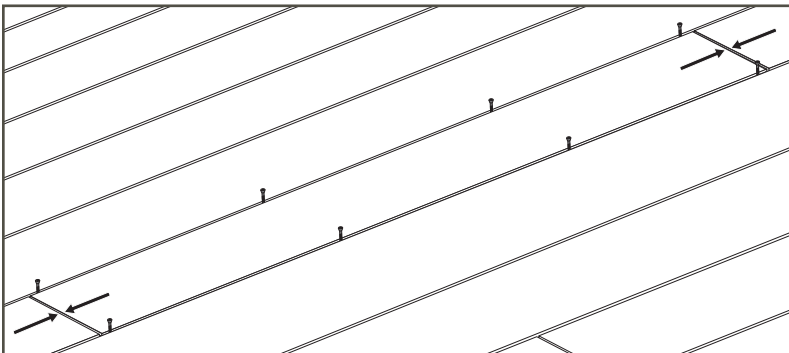
3 Insert new decking board.

- Clean away any debris on the joists, align the fasteners with the grooves and slide the replacement board into the decking surface while sliding the fasteners down the grooves to align with the joists. The original fasteners that were removed can be reused.



4 Secure the new board.

- Ensure there is correct end-to-end gap spacing.
- Retighten the fastener screws securely into the joist.



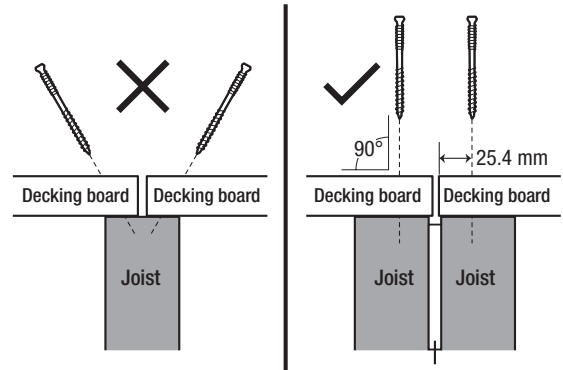
Face-Fastener Installation

Fastener Installation

Always drive face fasteners in at a 90-degree angle to the decking surface with two fasteners at every joist location. Do not angle screws into the joist. Instead, place additional joists to allow the perpendicular installation of face fasteners at board ends. Spacing parallel joists apart at butt joints, using 12.7 mm battens, also aids drainage around board ends.

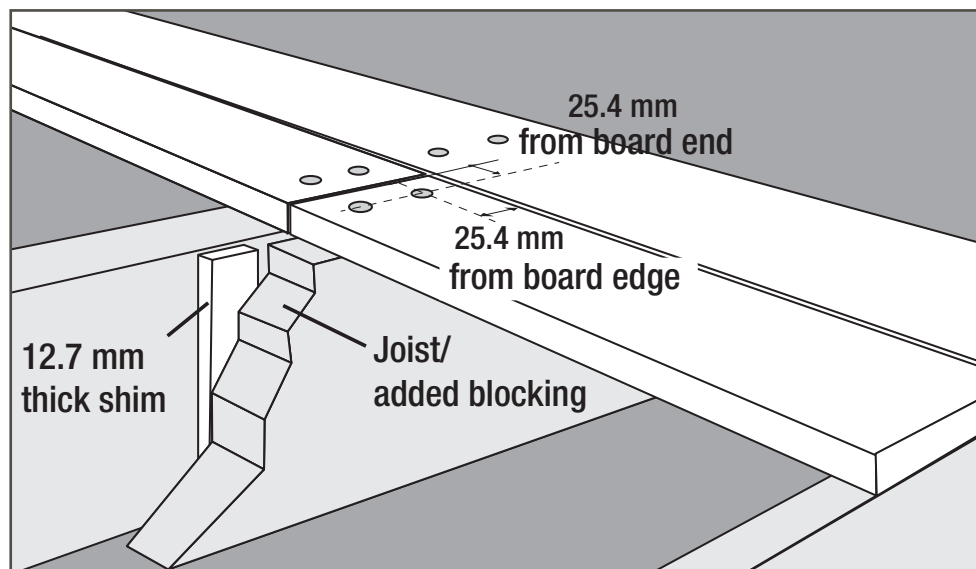
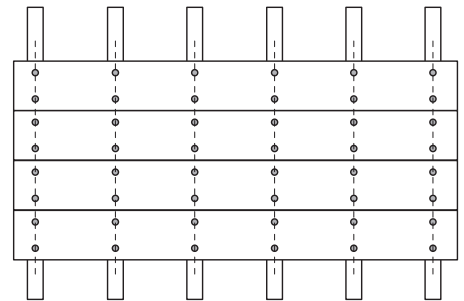
Decking Fastening Requirements

All brands of Fiberon® decking may be face fastened with two fasteners at every joist location. Use only screws designed for composite decking. Fiberon recommends using Fiberon-branded Cap-Tor® xd from Starborn® Industries to match screw colour to decking colour. Do not use plain, galvanised face fasteners or traditional bugle-head screws. For best results, use a minimum of two no. 8 x 64 mm stainless steel or coated composite decking screws at every joist location. Hidden face-fastening systems, such as Fiberon Starborn PRO PLUG, can also be used as the screws are engineered specifically to work with composite decking and prevent mushrooming, resulting in more pleasing finished projects.

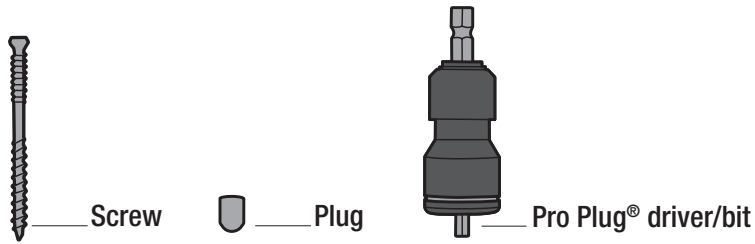


For Best Results

1. Screw heads must be flush with the board surface or countersunk if using hidden face fasteners with colour-matched plugs (p. 13).
2. Pre-drilling is required for end-of-board screw holes when installing at or below 5 degrees Celsius to prevent immediate or eventual end splitting. It is recommended for surface screw fasteners. Pre-drilling all holes will result in a more pleasing finish.
3. Use caution to avoid overtightening fasteners, or this may induce cracking at board ends and could lead to eventual cracking around other fasteners.
4. Straight rows of fasteners look cleaner and less noticeable than uneven rows. White chalk, straight boards or string lines can be used as guides for installing fasteners. Never use coloured chalk.
5. Use 12.7 mm shims or battening between joists/blocking for drainage and ventilation.



Hidden Face-Fastener Installation



Fastening Requirements

The hidden face-fastening systems are the fastest, easiest way to hide decking screw heads on stairs, perimeter boards and edged decking surface boards. They are also the ideal fastener to use when replacing a decking board. The plugs are made from decking material to match Fiberon® decking boards. Plug systems for ArmorGuard® or Veranda® by Fiberon decking are available direct from FastenMaster.

The ProPlug hidden face-fastening system is available for Concordia™, Sanctuary® and Good Life decking. Contact Fiberon customer service for more information.

Hidden face-fastening systems are designed for traditional elevated decking surfaces. The following applications will nullify the fastener warranty:

- Decking materials other than those of 24 mm standard thickness.

Installation

1 Pre-drilling fastener holes.



NOTE: Pre-drilling is required at the board ends and where temperatures are below 4 degrees Celsius.

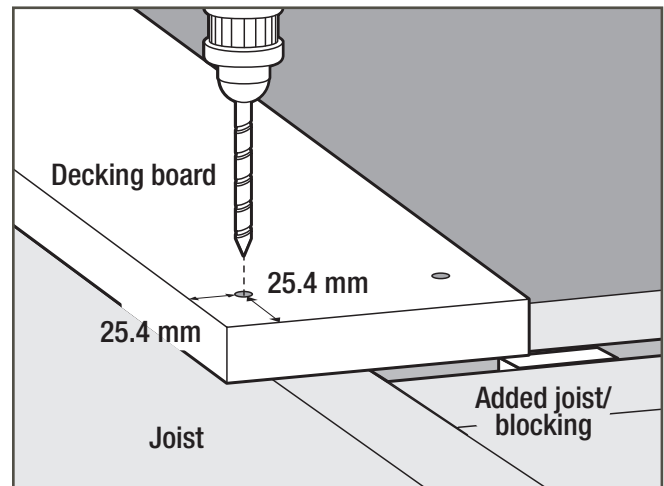


NOTE: The minimum 25.4 mm fastener setback for decking end-to-end seams requires double joists or additional blocking to allow the fastener to be driven perpendicular to the surface.

Holes should be at least 25.4 mm from board ends and at least 25.4 mm from board sides. To prevent cracking at fastener locations, pre-drill all holes with a 3.2 mm or 4 mm drill bit. Keep the drill perpendicular to the decking surface in order to create the proper pilot hole and remove excess material.



NOTE: For best pre-drilling results, starting screws slowly will help initial engagement. Always keep continuous downward pressure while driving in screws. The Starborn® Smart-Bit® pre-drilling and countersinking tool should be used for best results. Unlike a standard 3.2 mm drill bit, the Smart-Bit removes the material the screw head displaces to prevent an unsatisfactory finish. For more information, visit Starbornindustries.com



Hidden Face-Fastener Installation (continued)

2 Installing the fasteners.

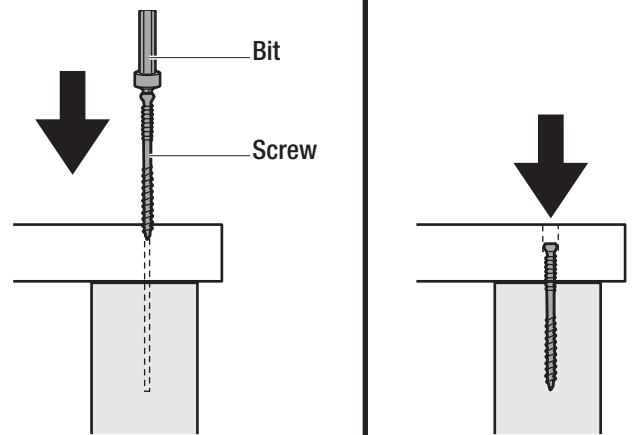
- Using the setting tool (bit), drive the fastener (screw) to the pre-set level below the decking surface, ensuring the fastener remains perpendicular. Install two fasteners at every joist and/or stair string.



NOTE: Replace a worn driver bit with a fresh one periodically. We recommend replacement every 125 screws.



NOTE: If damage occurs to the screw while it is being driven in, do not continue. Follow the instructions in the 'Removing damaged plugs or screws' section of this manual (below).



3 Inserting the plugs.

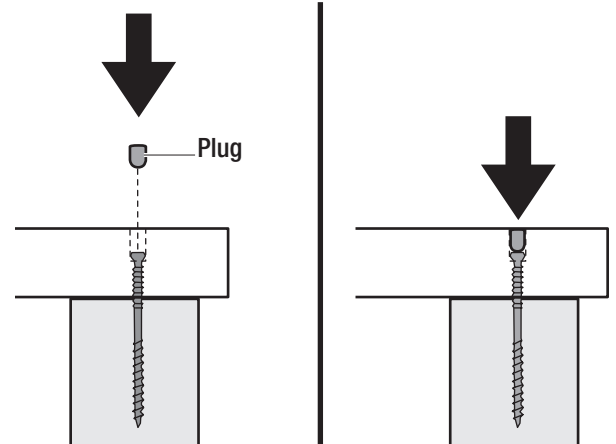
- Ensure the cored hole is free of debris or moisture. Place the plug into the cored hole and gently tap with a smooth hammer head until it is flush with the decking surface.



NOTE: Each box of fasteners comes with additional plugs. It is recommended that you keep these plugs in case any boards need to be removed and replaced in the future, as the plugs are destroyed when they are removed and are not available separately.



NOTE: Plugs are made from decking material and vary in colour and grain pattern depending on where on the board they have been taken from. Fiberon recommends inspecting the plugs to select the one that best matches where it will be installed and aligning the plug's grain pattern with the decking board for the most seamless look.



Removing damaged plugs or screws

- To prevent damage to the decking surface, mask off around the screw or plug that is being removed. Immediately clean off any debris left behind after the work is completed.
- Existing plugs can be removed by tapping into the plug centre with a trim screw (3.8 mm or smaller) until it reaches the screw head below the plug. Remove the plug. Using a standard no. 1 driver bit (not the setting tool), engage the driver bit into the screw recess prior to backing out. On slow speed, reverse the screw out of the decking board. When removing a fastener, an impact drill offers the best results.
- If the head of a damaged screw is above the decking surface, remove the driver bit from your drill and open the chuck wide enough to capture the head of the screw. Tighten the chuck firmly around the head and set the drill in reverse. Then, on low speed, slowly draw the fastener out of the decking board.



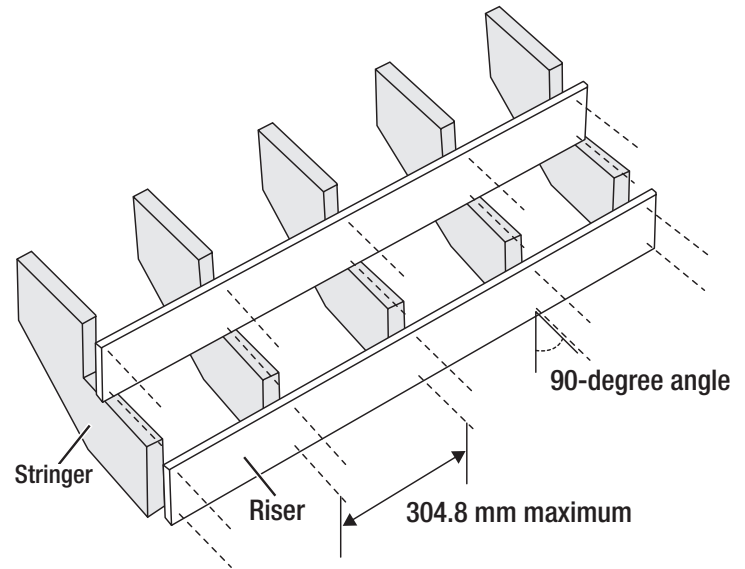
NOTE: If you prefer to use pliers, grasp the screw head, but make sure you protect the decking surface from tool marks by providing enough clearance between the tool and the decking surface.

- If the head of the damaged screw is at or slightly below the decking surface, use these options in this order: (1) use an impact driver with a new standard no. 1 square drive; set the tool to reverse, centring weight over the drill, and slowly remove the screw; (2) use a no. 2 square drive bit and drive the bit into the head of the screw with a few firm hits of a hammer; using a sleeve or extension pre-installed on the drill, carefully slide the open end onto the no. 2 bit; then, on low speed, reverse out the screw.

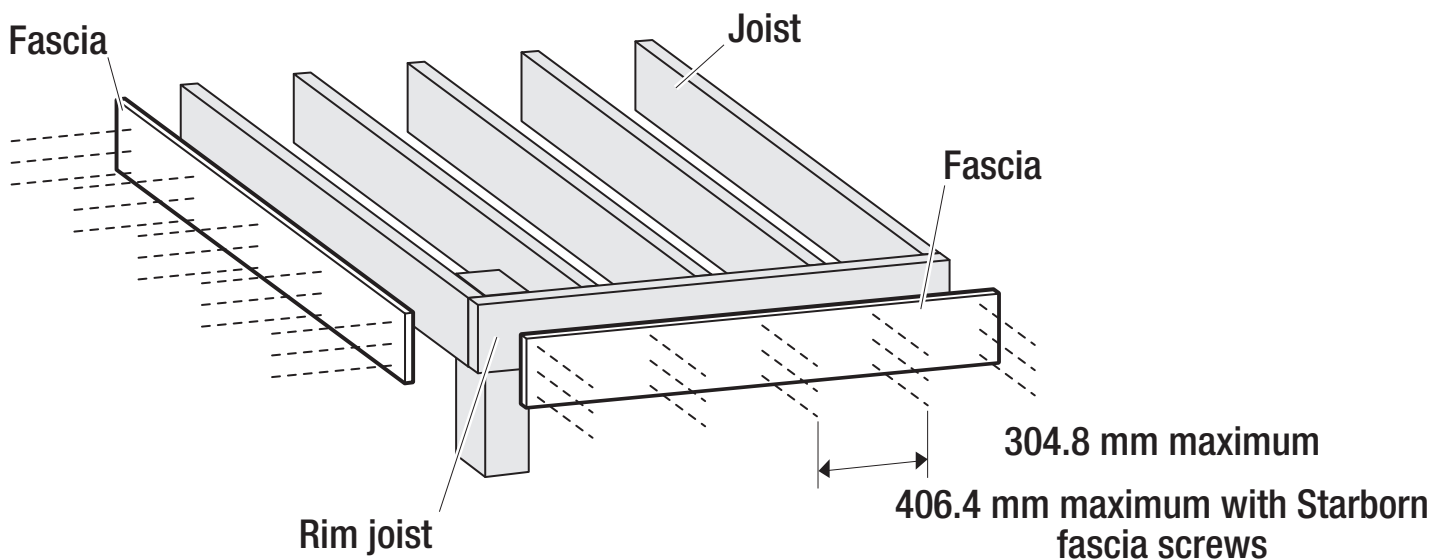
Riser Installation

Riser Installation

Riser boards are intended as a non-structural covering for stair stringers and are not suited for decking surfaces or structural applications. Riser boards are fastened to every stair stringer, spaced a maximum of 304.8 mm apart with two screws across the face on-centre. Starborn® Fascia System can be used to fasten risers to stay consistent to fascia fastening as long as riser boards are fastened at a maximum of 304.8 mm apart. Always drive face fasteners in at a 90-degree angle to the board surface, no closer than 25.4 mm from the ends and sides of the board. Pre-drill screw holes to prevent mushrooming. Do not overtighten screws as buckling and cracking may result. Install with 1.6 mm spacing between ends in temperatures above 10 degrees Celsius and 3.2 mm spacing in temperatures below 10 degrees Celsius.



Fascia Installation



Fascia Installation

Fascia is fastened with three screws down the face of the board at a maximum of 304.8 mm intervals. The maximum spacing can be increased to 406.4 mm on-centre when using the Starborn® Fascia System or Starborn Pro Plug® System Fascia. Always drive face fasteners in at a 90-degree angle to the board surface and no closer than 25.4 mm from the ends and sides of the board. Pre-drill the ends of the board screw holes to prevent immediate or eventual end splitting. Install with 3.2 mm spacing between ends in temperatures above 10 degrees Celsius and 4.8 mm spacing in temperatures below 10 degrees Celsius. Fascia is intended as a non-structural covering for rim joists, stair risers and strings and is not suited for decking surfaces or structural applications. Do not overtighten screws as buckling and cracking may result.



Beautiful outdoor living built for life.®

fiberondecking.com

Retain this manual for future use.

Visit fiberondecking.com for the most up-to-date installation requirements.