

Installation Advice

Prior to Installation

Boards should be unpacked and laid out loose for 24 - 48 hours to allow for acclimatisation. When carrying NexGEN boards, carry on edge to have a better weight balance and store on a flat surface. There is approximately a +1cm tolerance on the board's length therefore most boards should be cut at the end to match with the joist spacing and to achieve a better finish. Make sure there is adequate and unobstructed airflow under the deck to prevent excessive water absorption. Improve drainage or grade flat areas where standing water may gather. Standard woodworking tools can be used. We advise the use of tungsten carbide saw blades. Consult local building codes.

Important Notes

NexGEN boards cannot be glued. Do not fix parts such as balustrading directly onto deck boards. Leave a gap for thermal expansion around parts inserted in the deck board such as posts, lights etc. For swimming pools, we do not recommend the use of NexGEN boards in constant contact with water. If heavy objects such as spas are to be placed on top of you deck, ensure the sub frame is designed to support the load. Colour can differ slightly from one batch to another, due to the natural variations in the wood content. Colours are not contractual.

Static

Dry and windy environments may create a temporary condition of static electricity, which will vary depending on climate.

Joist Spacing

To have better ventilation, boards should not be laid directly on the ground. When installing perpendicular to the joists in residential applications, spacing is 45cm on centre for 24mm thick boards and 35cm on centre for 20mm thick boards. For commercial applications, spacing should be no more than 30cm on centre. When the decking is to be laid diagonally, reduce the on-centre joist spacing by 10cm.

Board Spacing

All decking materials, whether wood, composite or metal, undergo some degree of linear expansion due to temperature differences. To compensate the contraction and expansion effects the following installation standards must be maintained:

Side to side spacing: 5mm

Between the board side and any permanent structure such as a wall or a post: 6mm

End to end spacing: 3mm

Refer to the calculation chart for temperature differentials.

Tip:

Use header/divider boards between continuous runs of boards where possible to reduce butt joints.

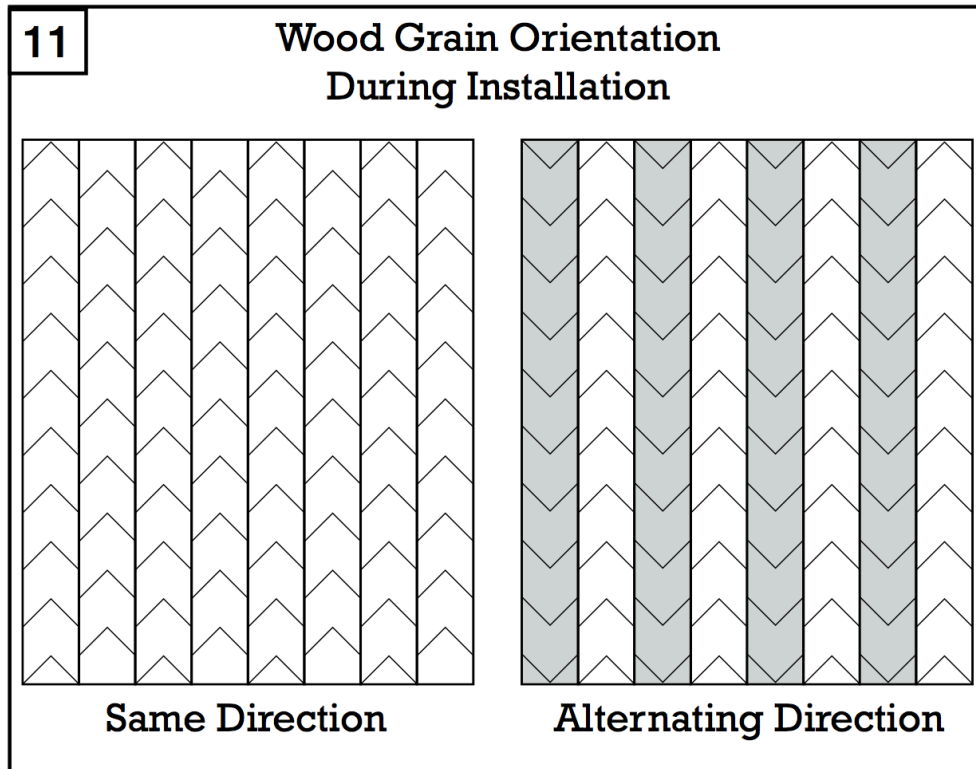
Note:

To help control end-to-end spacing, decking should be kept at ambient temperature and shaded from direct sun prior to cutting and securing.

Never cut and install boards in direct sun assuming them to be at ambient temperature.

Wood Grain Patterns

Note that the wood grain patterns on NexGEN decking are directional. Different looks can be achieved by installing the decking in the same or alternating directions. The graining pattern repeats approximately every metre along the board length. To ensure you orientate the boards to achieve the desired effect, a directional label is noted on the side of each board showing grain direction. During the planning phase of any deck project, arrange decking before installation to achieve the desired pattern. (Figure 11)



Installation with NexGEN hidden fasteners

NexGEN fasteners are a hidden deck fastener designed specifically for NexGEN decking boards. NexGEN fasteners allow an exceptional hold-down power thanks to the claws located on the tabs. The result is a stable, smooth and blemish free deck surface.

1. Position the first deck board and leave a 6mm gap from any permanent structure
2. Pre-drill the first deck board with a 3mm drill. Use NexGEN composite decking screws along the outside edge. The screw placement should be at 25mm from the edge of the board. Do not over-tighten the screws
3. Insert NexGEN fasteners into the groove channel of the 1st board at every support joist (Figure 1)
4. Position the 2nd board against the fasteners. Slightly lift the outer edge of the 2nd board to ease the assembly (Figure 1). NexGEN fasteners allow 5-6mm board spacing.
5. Once 1st and 2nd boards are positioned, tighten the NexGEN screws down. A special bit is provided. Do not over tighten the screws (Figure 2). Use a plastic hammer to tighten the 2nd board to the 1st one (Figure 3). Repeat the same steps for next boards.
6. Adjust the last board width with a circular saw, and fix it with NexGEN composite decking screws along the outside edge
7. To obtain a fascia, you can cut a board in the length direction and place it alongside your deck

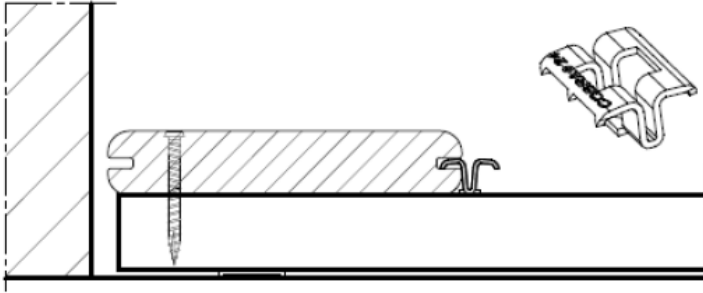


Figure 1

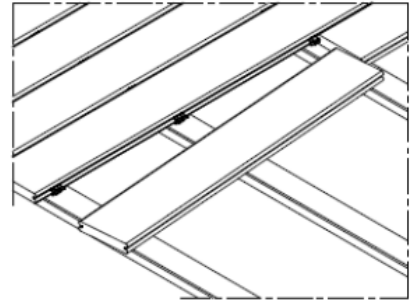


Figure 1 bis

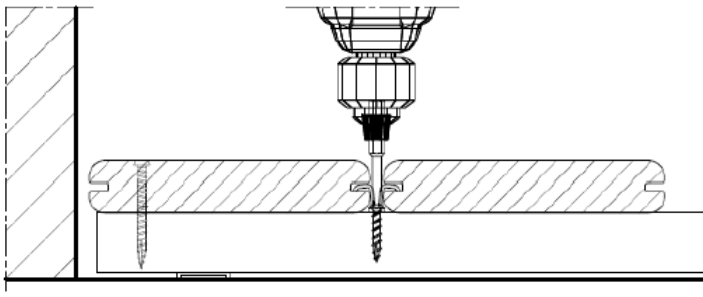


Figure 2

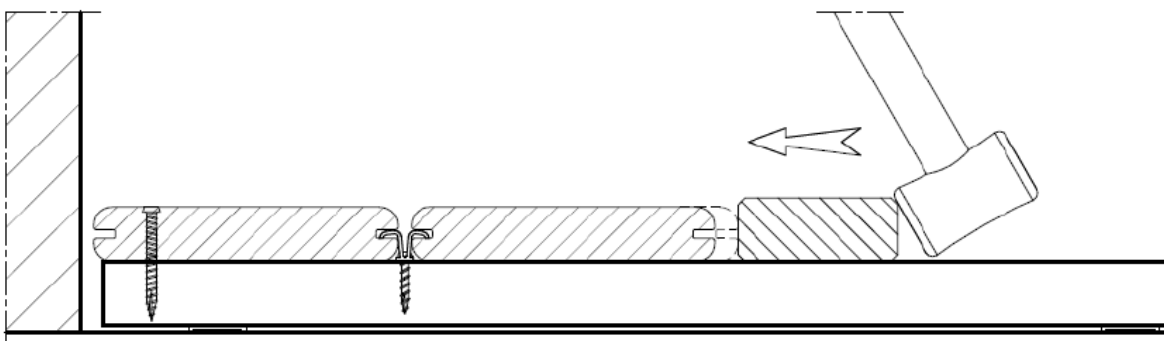
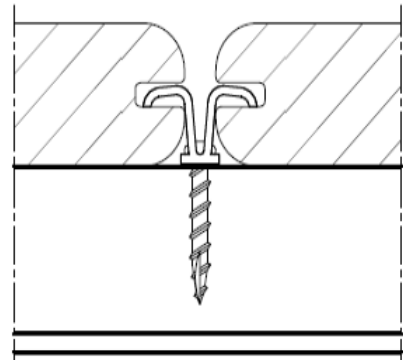


Figure 3